

Medical Equipment General Catalog



Hiwin Technologies upholds the ideas of integrating global resources and sustaining innovation in order to seek the well-being of mankind, and finds its place in the medical industry, with hopes to meet the health care needs with engineering methods, and to reduce costs taking advantage of being a mechanical manufacturing company, so that the groups in need will obtain medical resources more easily. Currently the development for the prototypes of the Robotic gait training system, Robotic endoscope holder and Hygiene system have been completed and are in the pre-marketing testing phase.

High Speed
High Precision
Multifunctional Integration
Ecology First
Humanistic Technology

HIWIN TECHNOLOGIES CORP.

No. 7, Jingke Road,
Taichung Precision Machinery Park,
Taichung 40852, Taiwan
Tel : +886-4-23594510
Fax : +886-4-23594420
www.hiwin.tw
business@hiwin.tw

Subsidiaries & R&D Centers

HIWIN Germany
www.hiwin.de

HIWIN Switzerland
www.hiwin.ch

HIWIN Korea
www.hiwin.kr

HIWIN Japan
www.hiwin.co.jp

HIWIN France
www.hiwin.fr

HIWIN China
www.hiwin.cn

HIWIN USA
www.hiwin.com

HIWIN Italy
www.hiwin.it

HIWIN Brazil
www.mectrol.com.br

HIWIN Czech
www.hiwin.cz

HIWIN Singapore
www.hiwin.sg

Mega-Fabs Israel
www.mega-fabs.com



+7 (495) 407-01-02

Robotic Gait Training System

MRG-P100



Characteristics	Using a standing posture and non-suspension method, with a customized oval track, the mechanical exoskeleton drives the patient to execute lower extremity walking training, and simulate gait training.	
Training mode	User passive	
Indications	incomplete spinal cord injury stroke traumatic brain injury multiple sclerosis muscular dystrophy walking obstacle caused by neuropathy or the seniors	
Specifications	Dimensions	1550mm x 1300mm x 1600mm (Length x Width x Height)
	Rated load	387 kg
	Leg length range	thigh 380~500 mm / calf 400~520 mm
	Weight restrictions	below 150 kg
	Walking speed	1 km/hr (MAX)
	Power	220V~230V

Hygiene System

MHS-B100



Characteristics

The "Bath Assistive Equipment" is a medical bathtub that stirs water to reduce pain and itch by hydrotherapy. This hygiene system can also be used to clean patients.

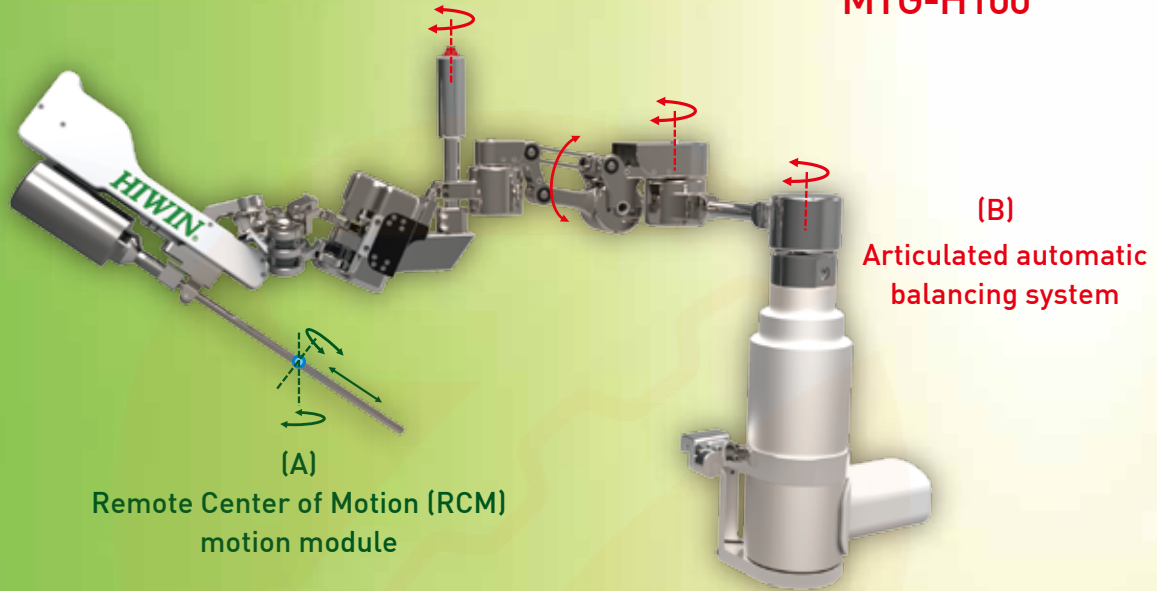
The integrated lift makes it easier for health care providers to clean paralyzed patients. The bathtub lift can be adjusted according to the operators height to reduce occupational injury during the cleaning process.

Specifications

Electric lift	Lift distance: 500mm Lift speed: 5m/min
Temperature display	LED display
Temperature control	20°C~50°C
Outflow	Two outflow modes
Water level setting	Three water levels
Disinfection system	Warning for the insufficient of disinfection liquid
Bathtub drainage	Overflow hole and Bounce draining system
Massage system	Ultrasonic massage (optional)
Dimensions	2035mm x 920mm x 1460mm (Length x Width x Height)
Weight	About 200kg
Power	220~230 V

The Robotic Endoscope Holder

MTG-H100



(A)
Remote Center of Motion (RCM)
motion module

(B)
Articulated automatic
balancing system

Characteristics	Uses unique kinematic mode (RCM), to reach a stable and precise endoscope spatial positioning.	
Intended use	This product is an electric magnetic brake controlled arm that is fitted to the operating table by connector. It is used as support for a fixed optical system (endoscopy) to conduct the following endoscopic surgery in parts of the abdominal cavity: cholecystectomy, hernia repair, fundoplication, splenectomy, appendectomy, right colon resection, sympathectomy, lymph node removal surgery, hysterectomy, gastric banding, gastric bypass surgery, nephrectomy, radical prostatectomy and others.	
(A) Remote Center of Motion module	Dimensions	250mm x 150mm x 120mm (Length x Width x Height)
	DOF	3 (includes rotational DOF 2 and translational DOF 1)
	Weight	below 2.5 KG
	Range of movement	$\pm 110^\circ / 0^\circ \sim 60^\circ$
	Rated load	2.0 KG
	Injection axis route of endoscope reaches 200mm With single-button unlocking function With single-button unlocking (endoscope) function With mechanical Remote Center of Motion	
(B) Articulated automatic balancing system	Dimensions	600mm x 70mm x 60mm (Length x Width x Height)
	DOF	4 (includes rotational DOF 3 and translational DOF 1)
	Weight	below 8 KG
	Range of movement	$\pm 360^\circ / R480 / H200$
	Rated load	4 KG
With DOF 4 Rotation/Movement Locking function With single-button unlocking function		
Power	110-230V , 50Hz/60Hz	